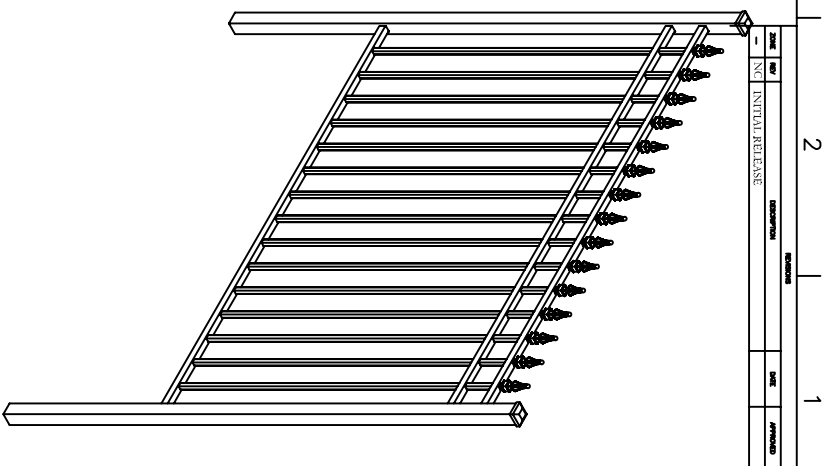
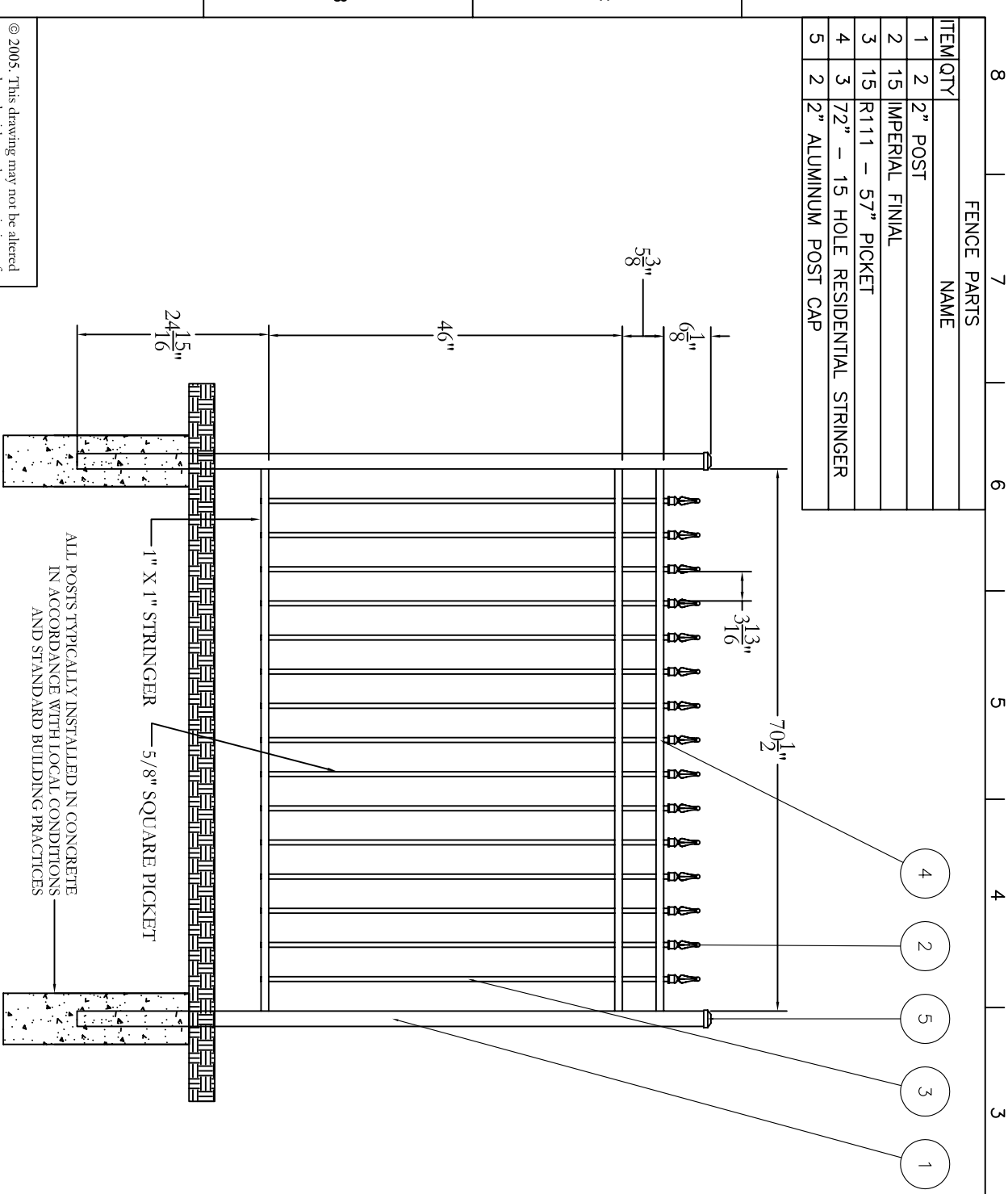



ITEM	QTY	NAME
1	2	2" POST
2	15	IMPERIAL FINIAL
3	15	R111 - 57" PICKET
4	3	72" - 15 HOLE RESIDENTIAL STRINGER
5	2	2" ALUMINUM POST CAP



SCALE	DATE	REV	BY	CHK	APPR
D	1-1-05	1	NC	NC	NC

  
**Jerrth**  
 Manufacturing Co., Inc.  
 Philadelphia, PA 19154  
 (800) 344-2242

DRAWING:  
**RESIDENTIAL FENCE**  
**STYLE #111 - 57" HEIGHT**

© 2005. This drawing may not be altered or reproduced without the permission of Jerrth Manufacturing Co., Inc.